

**ARB WINCH/NON WINCH BUMPER TO SUIT 08/2004
ONWARDS NISSAN GU PATROL**

PRODUCT NO: 3917140
5100090 Top Tube Kit
5100171 Buffer Kit – With hole (required when fitting Top Tube)
5100172 Buffer Kit – With no hole

FITTING KIT NO: 6172355

WARNING

FOR VEHICLES EQUIPPED WITH SRS AIRBAG
**WHEN INSTALLED IN ACCORDANCE WITH THESE INSTRUCTIONS, THE FRONT
PROTECTION BAR DOES NOT AFFECT OPERATION OF THE SRS AIRBAG.**

TAKE NOTE OF THE FOLLOWING:

- **THIS PRODUCT MUST BE INSTALLED EXACTLY AS PER THESE INSTRUCTIONS USING ONLY THE HARDWARE SUPPLIED.**
- **IN THE EVENT OF DAMAGE TO ANY BULL BAR COMPONENT, CONTACT YOUR NEAREST AUTHORISED ARB STOCKIST. REPAIRS OR MODIFICATIONS TO THE IMPACT ABSORPTION SYSTEM MUST NOT BE ATTEMPTED.**
- **DO NOT USE THIS PRODUCT FOR ANY VEHICLE MAKE OR MODEL, OTHER THAN THOSE SPECIFIED BY ARB.**
- **DO NOT REMOVE LABELS FROM THIS BULL BAR.**

OPTIONAL LIGHT SETS TO SUIT THIS PRODUCT:

- ARB 6821201 Fog Light Kit Suit 3163015
- Up to IPF 900 SERIES FOG OR DRIVING LIGHT SETS

IMPORTANT

This winch bumper is suitable only for Warn winches up to 9500lb.

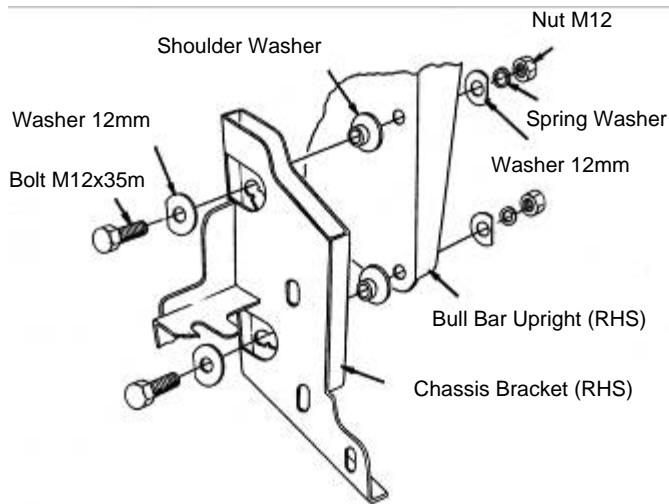
USE.	PART NO.	QTY.	DESCRIPTION
CHASSIS BRACKETS TO CHASSIS	4581088	2	Chassis rail extension adjuster bolt
	6151096	7	Bolt M12 x 1.25 x 40mm
	6151095	1	Bolt M12 x 1.25 x 35mm
	6151135	2	Nut M12 x 1.25
	6151189	2	Nut M12 x 1.75
	4581049	2	Washer M12 Flat
	4581050	8	Washer M12 Spring
	4581007	8	Washer 13mm Heavy duty
	4581008	2	Washer 13mm Offset heavy duty
	6151087	2	Bolt M10 x 1.25 x 25mm
	6151133	2	Nut M10 x 1.25
	4581040	4	Washer M10 Flat
	4581048	2	Washer M10 Spring
BULL BAR TO CHASSIS BRACKETS	3756395L	1	Chassis bracket LHS
	3756395R	1	Chassis bracket RHS
	6151135	4	Nut M12 x 1.25
	6151095	4	Bolt M12 x 1.25 x 35mm
	4581050	4	Washer Spring M12
	4581071	4	Washer shoulder M12
	4581070	8	Washer Flat M12
TOP TUBE TO BAR (5100090)	6131321	1	Top Tube assembly
	6151255	2	Bolt M12 x 1.75 x 40mm
	4581049	2	Washer M12 Flat
	4581050	2	Washer M12 Spring
BUFFERS (5100171 Required if fitting Top Tube)	6151128	12	Flange nut M6
	3162469L	1	Buffer LH
	3162469R	1	Buffer RH
BUFFERS (5100172 Required if not fitting Top Tube)	6151128	12	Flange nut M6
	3162466L	1	Buffer LH
	3162466R	1	Buffer RH
WINCH COVER	6522030	1	Panel winch cover
	6151256	2	Button head screw M6 x 16mm
	6151046	2	Washer flat M6
	6151128	2	Flange nut M6
	6191005	1	Winch cover extrusion
INDICATORS TO BULL BAR	3163015	1	Combination Light Surround Kit
	180701	6	Scotch lock
	6821152	2	Turn signal/clearance light loom
	6821151L	1	TURN SIGNAL/CLEARANCE LIGHT
	6821151R	1	TURN SIGNAL/CLEARANCE LIGHT

USE.	PART NO.	QTY.	DESCRIPTION
NO. PLATE	6151017	2	Bolt M6 x 16mm
	6151046	2	Washer flat M6
	6151128	2	Flange nut M6
	6781408	1	Double sided tape
AIR DEFLECTOR	6522047	1	Air deflector front
	3314440	1	Air deflector extension
	6151017	10	Bolt M6 x 16mm
	6151046	10	Washer flat M6
	6151128	7	Flange nut M6
	6151315	3	Cage nut M6
WINCH FITMENT	3756499	1	Control box bracket
	6151020	2	Bolt M8 x 16mm
	4581044	2	Washer flat M8
	6151132	2	Flange nut M8
	4581040	4	Washer flat 3/8"
	6151074	4	Bolt UNC 3/8" x 1 3/4"
	BLB 560	3	Winch lead 560mm black
	EG50	2	Rubber grommet
	180302	10	Cable ties
AERIAL	3162152	2	CB aerial cap

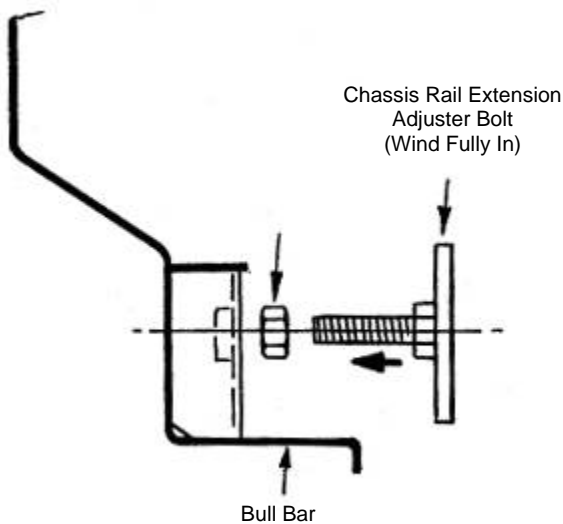
TOOLS REQUIRED.

Basic tool kit: torque wrench, drill, 10mm drill bit, stepped ring spanners.

BULL BAR PREPARATION



1. Assemble the two chassis brackets to the bull bar using two per side, M12 x 35mm bolts, heavy duty D washers, shoulder washers, heavy duty D washers, spring washers and nuts.
2. Position the impact absorbers centrally on the upright slots. These slots were provided to accommodate chassis height variations.
3. Tighten the bolts firmly; though do not fully tighten as they may be adjusted at step 31.



4. Rest the bar face down on two stands so assembly can be carried out.
5. Assemble a 12mm nut to each chassis rail extension adjuster bolt and fully screw into bull bar.
6. Do not tighten, as this will be adjusted later.

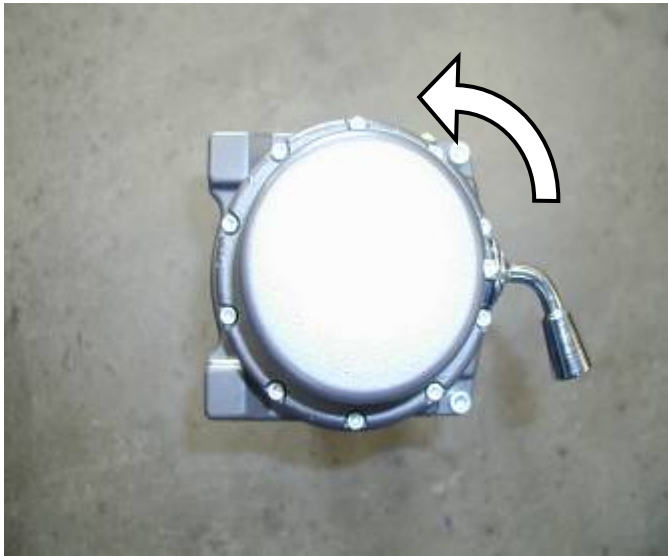


1. Fit the buffers. Buffer studs fit through the slots in the wings and the pan. Fasten using M6 flange nuts.

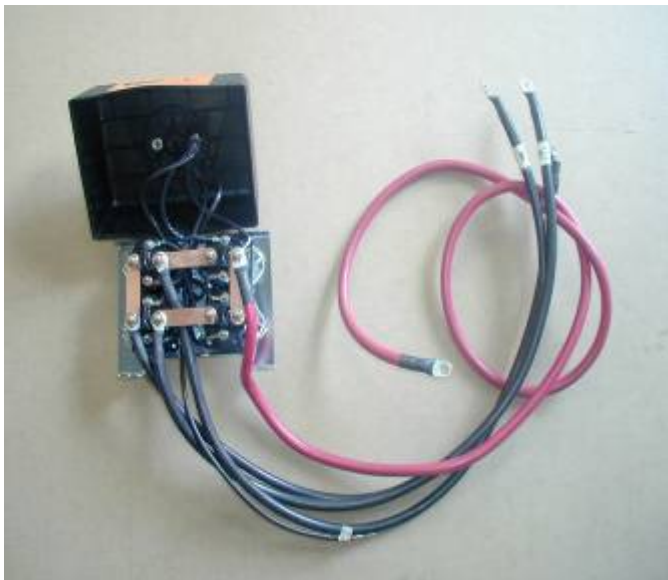
Note: This applies to both blank buffers and for those with the hole for optional frame.

CAUTION: DO NOT OVER TIGHTEN THE M6 NUTS AS YOU RISK PULLING THE STUDS OUT OF THE BUFFERS.

WINCH FITMENT

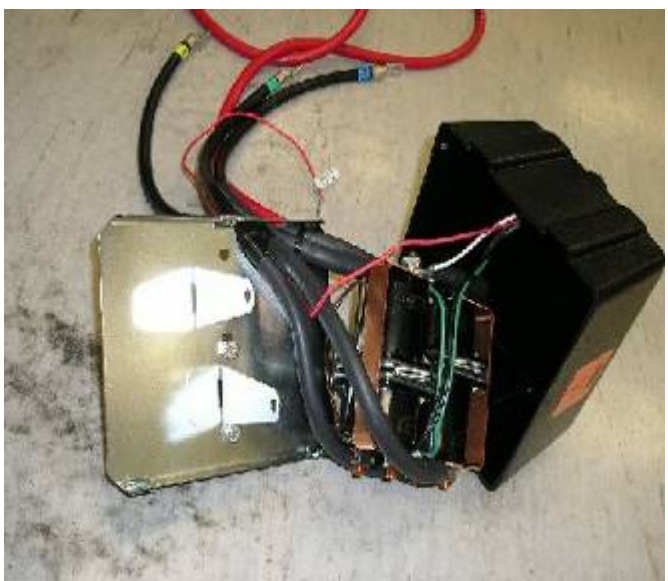


7. For ease of access the winch gearbox handle needs to be rotated. To do this, first undo all the cap screws and carefully lift the gearbox clear of the winch body so as not to damage the gasket. (**Do not lift the gearbox more than a couple of millimetres**) Rotate the gearbox 144° anti clockwise. Re-fit the caps-crews.

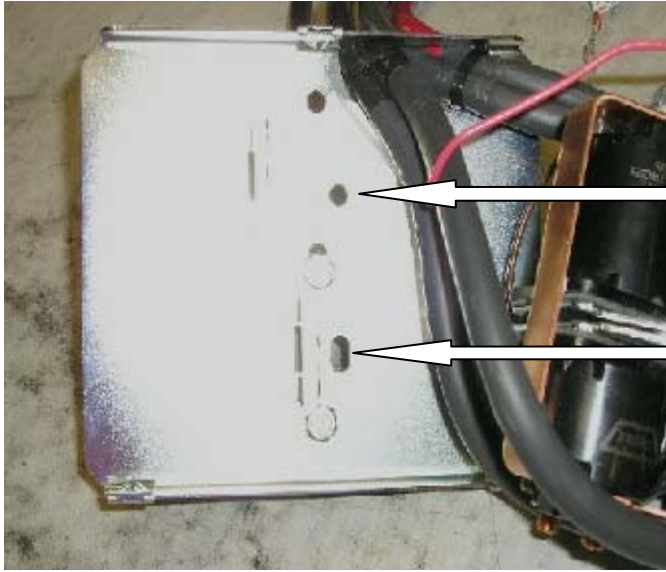


8. Remove the cover from the control box.
9. The three main power cables that go from winch to control box must be changed over using longer cables from bolt kit. Make sure that you identify the colour codes on the new cables before re-fitting the control box cover.

NOTE: This must be done for whatever winch is to be fitted to the bull bar.



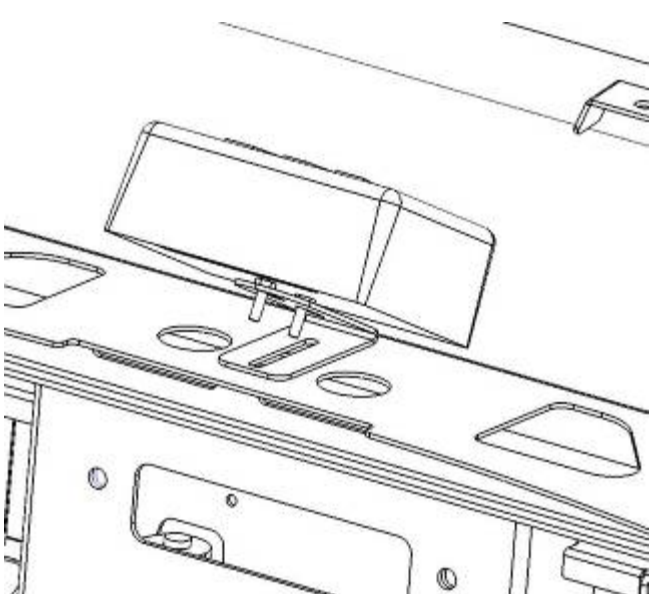
10. If fitting the **XP 9.5 winch**, remove the cover from the control box. Remove the two cap screws, nuts and spacer washers that hold the four solenoids in place.
11. Remove the four solenoids from the base of the control box using the copper bus bar as an aid and hold to one side.



12. Remove the two bolts in the base of the control box and reposition them into the more centralised holes.



13. Replace the 4 solenoids, making sure they line up with the holes in the base.
14. Replace the 2 cap screws, washers and nuts removed in step 13 above into original holes.
15. Replace the black cover and refit the three cover screws. (DO NOT OVER TIGHTEN)



16. Bolt the control box bracket to the control box.
17. Fit the two grommets into the round holes then thread the cable through.
18. Mount the control box bracket onto the top pan, using M8 bolts, flat washers and flanged nuts. Use the cable ties to ensure the winch cables are secure, clear of moving parts and sharp edges and tie them together.



19. Place winch on a stand with mounting holes facing upwards and lower bull bar onto winch. Align all four holes and secure using 1 1/2" x 3/8" bolts on top holes and 1 3/4" x 3/8" bolts on lower holes, plus 3/8" spring and flat washers.
20. When all bolts are fitted and finger tight, centralize bolts in holes and tighten top holes only, using a stepped ring spanner.
21. Remove lower bolts.



22. Fit roller fairlead into cutout and refit bolts and tighten firmly.
23. Connect the winch control box cables to the winch. Refer to Warn installation instruction manual when wiring up winch.

Ensure that all cables are installed well clear of all sharp or moving parts, by using cables ties from bolt kit.

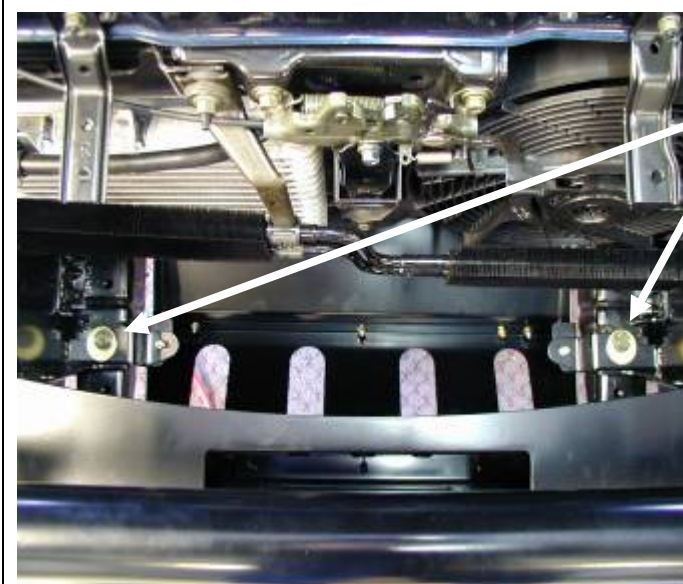
BULL BAR FITMENT

FUNCTION	INDICATOR HARNESS	VEHICLE COMBINATION LAMP	
		RIGHT	LEFT
TURN LAMP	GREEN	GREEN / RED	GREEN / YELLOW
EARTH	BLACK	BLACK	BLACK
PARK LAMP	RED	BLUE/BLACK	BLUE/BLACK

24. Remove the splash guards attached to the bumper and remove the bumper and grille from vehicle.
25. Remove the vehicle's head lamps and wire the indicator looms provided in the kit to the vehicle's indicator loom using scotch locks. Leave these new looms hanging freely for easy access when the bar is fitted.
26. Re-attach the vehicle's head lamps and grille.



27. Before fitting the bull bar, using black paint, paint the section between bull bar wing and the bottom of the headlight.



28. Position the bull bar on top of the chassis rails and bolt into place using the M12 x 40mm bolts, heavy-duty washers and spring washers.(Do not tighten)

NOTE: Due to variations in the vehicle chassis rails it may be necessary to place a packer between the chassis rail top and the bull bar. A heavy-duty washer is supplied for this purpose.



29. Fit M12 x 40mm bolts, spring washers and heavy-duty flat offset washers through bull bar side mounting holes into original bumper bar captive nut mounting holes. (Do not Tighten)

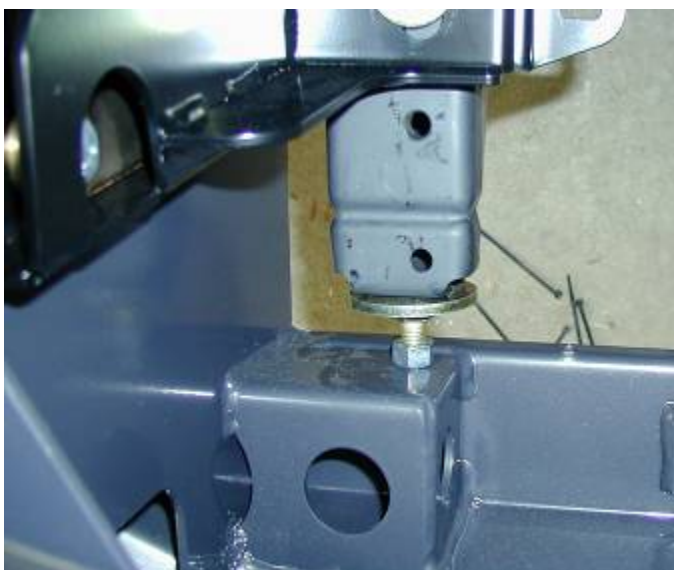


30. Fit M12 x 40mm bolt (passenger's side) & M12 x 35mm bolt (driver's side), ½" flat washers, heavy duty flat washers, spring washers and 12mm nuts to lower bull bar mounting holes and vehicle tie down plates. (Do not Tighten)

NOTE: Insert bolt from outside of lower mount holes so heavy-duty washer covers large hole on tie down plate.



31. Adjust the bull bar to achieve a uniform gap to the grill and mudguards. If additional height adjustment is required, the M12 bolts fitted at step 5 may be loosened for additional adjustment.
32. Tighten all the fitted bolts, including those fitted at step 5, to a torque of 77Nm or 80 ft-lb.
33. Once the bar is secured, using the 10mm holes in chassis bracket as template, drill 10mm hole through side of chassis and secure using M10 x 40mm bolt, flat washers, spring washer and nut.



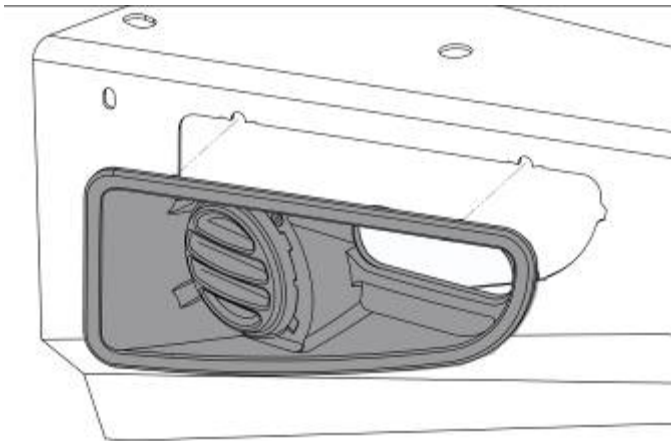
34. Wind each impact absorber adjuster bolt out until it is firm against the chassis rail extensions and tighten the lock nut.

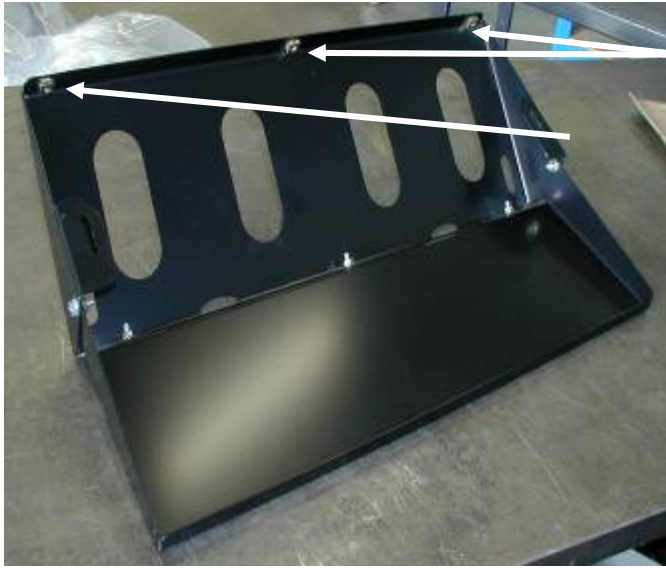
IF FITTING TOP TUBE

35. Push the tube through the holes in the top of the buffer and fix using the M12 X 40mm bolts washers and spring washers.



36. Assemble and install combination light surrounds (p/n 3163015) as per instructions no. 3786421 supplied with surround kit. Note: Optional fog lamps can be installed at this point as per fitting instruction no. 3783315 supplied with fog lamp kit no. 6821201. Wire the combination lamp to the vehicles indicator and clearance lamps. Caution: Cable tie all cables together and keep all cables clear of sharp edges and moving parts.





37. Fit three M6 cage nuts to the upper deflector panel as shown on the left.
38. For non-4.8 litre petrol engine vehicles, assemble the second deflector panel using M6x16mm bolts, washers and flange nuts as shown on the left.
39. 4.8 litre petrol engine vehicles only require the upper panel to be fitted to the vehicle.



40. Fit the air deflector / deflectors using M6 nuts and bolts.
41. Fit three M6x16 bolts and washers through the front of the upper deflector into the cage nuts previously installed.
42. Fit two M6x16 bolts through the two slots on each side of the deflector. Use M6 washers and flange nuts to fasten the deflector to the mating impact absorbers. These slots are accessible through the cut-outs in the deflector.



43. If no winch is fitted to the bar, wrap rubber extrusion around winch cover.
44. Place washers over the winch cover fixing holes located on the top middle face of the winch bar.
45. Place the winch cover on top of the bar inline with the mount holes. Bolt together using the M6 button head stainless steel screws and M6 nuts.



46. Place the double-sided tape along the top edge of the licence plate. Fit number plate to bar using M6x16 bolts, washers and flange nuts. The two photos display the number plate positions for winch and non-winch bars.





47. There are two diameter 16 holes located on the top face of the bar. If no CB aerials are fitted the holes can be covered with the plastic plugs provided in the fitting kit.
48. When finished make sure all bolts are tightened and that all wiring is clear of hot, sharp and moving parts.